

 **Primary 4 Maths (Term 4) - SCGS** [Duplicate](#)[Print](#)[Delete](#)[Assign Test](#)**Test Introduction**[+ Add Introduction](#)**42 Questions** (98 Points)Question Bank: 19,950 Questions 

Test Questions

1 Test Assignment

Question 1

Primary 4 Maths » Primary 4 Math (Term 4)

2 pts

Section A (30 marks)

The value of the digit 9 in 59 216 is ____.

- A) 90
- B) 900
- C) 9000
- D) 90 000

Question Type: Multiple Choice
Randomize Answers: No
Date Added: Sat 2nd Jan 2021
Last Modified: N/A
QID#: 25,693,451

[Answers](#) | [Edit](#) | [Duplicate](#) | [Used In](#) | [Reorder](#)[Remove From Test](#)**Question 2**

Primary 4 Maths » Primary 4 Math (Term 4)

2 pts

90 000 + 1000 + 700 + 4 = ____

- A) 90 174
- B) 91 704
- C) 91 740
- D) 91 744

Question Type: Multiple Choice
Randomize Answers: No
Date Added: Sat 2nd Jan 2021
Last Modified: N/A
QID#: 25,693,456

[Answers](#) | [Edit](#) | [Duplicate](#) | [Used In](#) | [Reorder](#)

[Remove From Test](#)

Question 3

Primary 4 Maths » Primary 4 Math (Term 4)

2 pts

Which of the following is a multiple of both 5 and 6?

- A) 11
- B) 24
- C) 25
- ✓ D) 30

Question Type: Multiple Choice
Randomize Answers: No
Date Added: Sat 2nd Jan 2021
Last Modified: N/A
QID#: 25,693,464

[Answers](#) | [Edit](#) | [Duplicate](#) | [Used In](#) | [Reorder](#)

[Remove From Test](#)

Question 4

Primary 4 Maths » Primary 4 Math (Term 4)

2 pts

Which of the following is not an equivalent fraction of $\frac{1}{4}$?

- A) $\frac{2}{8}$
- B) $\frac{3}{12}$
- ✓ C) $\frac{5}{16}$
- D) $\frac{6}{24}$

Question Type: Multiple Choice
Randomize Answers: No
Date Added: Sat 2nd Jan 2021
Last Modified: Sat 2nd Jan 2021
QID#: 25,693,460

[Answers](#) | [Edit](#) | [Duplicate](#) | [Used In](#) | [Reorder](#)

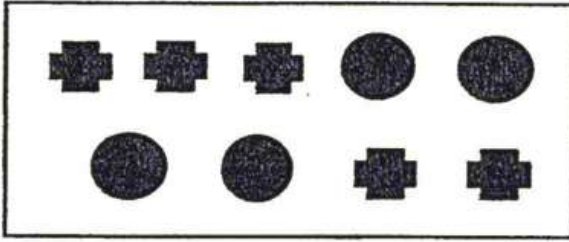
[Remove From Test](#)

Question 5

Primary 4 Maths » Primary 4 Math (Term 4)

2 pts

What fraction of the shapes in the box are  ?



- ✓ A) $\frac{4}{9}$
- B) $\frac{4}{5}$
- C) $\frac{5}{9}$
- D) $\frac{5}{4}$

Question Type: Multiple Choice
Randomize Answers: No
Date Added: Sat 2nd Jan 2021
Last Modified: Sat 2nd Jan 2021
QID#: 25,693,469

[Answers](#) | [Edit](#) | [Duplicate](#) | [Used In](#) | [Reorder](#)

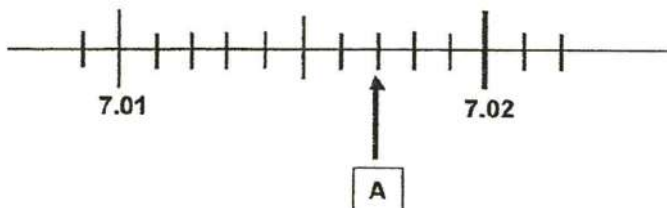
[Remove From Test](#)

Question 6

Primary 4 Maths » Primary 4 Math (Term 4)

2 pts

Which of the following decimals is represented by the letter A on the number line?



- A) 7.012
- ✓ B) 7.017
- C) 7.023
- D) 7.027

Question Type: Multiple Choice
Randomize Answers: No
Date Added: Sat 2nd Jan 2021
Last Modified: Sat 2nd Jan 2021
QID#: 25,693,475

[Answers](#) | [Edit](#) | [Duplicate](#) | [Used In](#) | [Reorder](#)

[Remove From Test](#)

Question 7

Primary 4 Maths » Primary 4 Math (Term 4)

2 pts

Express $4\frac{7}{20}$ as a decimal

- A) 4.7
- B) 4.72
- ✓ C) 4.35
- D) 4.035

Question Type: Multiple Choice
Randomize Answers: No
Date Added: Sat 2nd Jan 2021
Last Modified: Sat 2nd Jan 2021
QID#: 25,693,482

[↗ Answers](#) | [✎ Edit](#) | [📄 Duplicate](#) | [📌 Used In](#) | [⬇ Reorder](#)

[Remove From Test](#)

Question 8

Primary 4 Maths » Primary 4 Math (Term 4)

2 pts

Mary bought a mug for \$.275 and a teapot for \$19.90. She gave the cashier \$50. How much change did she get?

- A) \$22.65
- B) \$22.70
- C) \$27.30
- ✓ D) \$27.35

Question Type: Multiple Choice
Randomize Answers: No
Date Added: Sat 2nd Jan 2021
Last Modified: Sat 2nd Jan 2021
QID#: 25,693,489

[↗ Answers](#) | [✎ Edit](#) | [📄 Duplicate](#) | [📌 Used In](#) | [⬇ Reorder](#)

[Remove From Test](#)

Question 9

Primary 4 Maths » Primary 4 Math (Term 4)

2 pts

Jane bought 25kg of flour. She used 0.96kg of it to make some cookies. She packed the remaining flour equally into 4 bags. What was the mass of flour in each bag?

- ✓ A) 6.01kg
- B) 6.1kg
- C) 6.16kg
- D) 6.61kg

Question Type: Multiple Choice
Randomize Answers: No
Date Added: Sat 2nd Jan 2021
Last Modified: N/A
QID#: 25,693,498

[Answers](#) | [Edit](#) | [Duplicate](#) | [Used In](#) | [Reorder](#)

[Remove From Test](#)

Question 10

Primary 4 Maths » Primary 4 Math (Term 4)

2 pts

A file cost twice as much as a pen. Ava paid \$3.90 for 1 file and 4 pens. How much did Ava pay for each pen?

- ✓ A) \$0.65
- B) \$0.78
- C) \$1.30
- D) \$2.60

Question Type: Multiple Choice
Randomize Answers: No
Date Added: Sat 2nd Jan 2021
Last Modified: N/A
QID#: 25,693,501

[Answers](#) | [Edit](#) | [Duplicate](#) | [Used In](#) | [Reorder](#)

[Remove From Test](#)

Question 11

Primary 4 Maths » Primary 4 Math (Term 4)

2 pts

$$A \frac{3}{4} \text{ turn} = \underline{\hspace{2cm}}^\circ$$

- A) 120°
- B) 180°
- ✓ C) 270°
- D) 360°

Question Type: Multiple Choice
Randomize Answers: No
Date Added: Sat 2nd Jan 2021
Last Modified: N/A
QID#: 25,693,505

[Answers](#) | [Edit](#) | [Duplicate](#) | [Used In](#) | [Reorder](#)

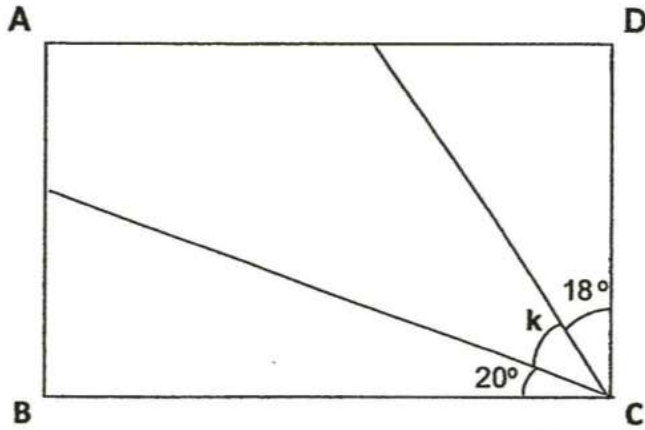
[Remove From Test](#)

Question 12

Primary 4 Maths » Primary 4 Math (Term 4)

2 pts

The figure below is not drawn to scale. ABCD is a rectangle. Find $\angle k$.



- A) 27°
- ✓ B) 52°
- C) 70°
- D) 72°

Question Type: Multiple Choice
Randomize Answers: No
Date Added: Sat 2nd Jan 2021
Last Modified: N/A
QID#: 25,693,506

[Answers](#) | [Edit](#) | [Duplicate](#) | [Used In](#) | [Reorder](#)

[Remove From Test](#)

Question 13

Primary 4 Maths » Primary 4 Math (Term 4)

2 pts

Lisa's ballet lesson started at 1.45pm.
 Her ballet lesson ended at 3.15pm.
 How long was her ballet lesson?

- ✓ A) 1h 30min
- B) 2h
- C) 3h
- D) 2h 30min

Question Type: Multiple Choice
Randomize Answers: No
Date Added: Sat 2nd Jan 2021
Last Modified: N/A
QID#: 25,693,511

[Answers](#) | [Edit](#) | [Duplicate](#) | [Used In](#) | [Reorder](#)

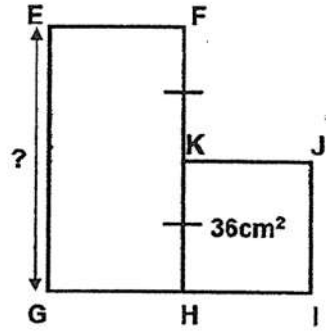
[Remove From Test](#)

Question 14

Primary 4 Maths » Primary 4 Math (Term 4)

2 pts

Figure below is made up of a rectangle EFHG and a square HIJK. $FK = KH$. Find the length of EG.



- A) 6cm
- B) 9cm
- ✓ C) 12cm
- D) 16cm

Question Type: Multiple Choice
Randomize Answers: No
Date Added: Sat 2nd Jan 2021
Last Modified: N/A
QID#: 25,693,513

[Answers](#) | [Edit](#) | [Duplicate](#) | [Used In](#) | [Reorder](#)

[Remove From Test](#)

Question 15

Primary 4 Maths » Primary 4 Math (Term 4)

2 pts

Choose the improper fraction to represent the shaded parts below.



- A) $13/8$
- B) $16/8$
- C) $19/8$
- ✓ D) $21/8$

Question Type: Multiple Choice
Randomize Answers: No
Date Added: Sat 2nd Jan 2021
Last Modified: N/A
QID#: 25,693,514

[Answers](#) | [Edit](#) | [Duplicate](#) | [Used In](#) | [Reorder](#)

[Remove From Test](#)

Question 16

Primary 4 Maths » Primary 4 Math (Term 4)

2 pts

Section B (30marks)

Write five thousand and twelve in figures

Accepted answers:

✓ 5012

Question Type: Free Text
Date Added: Sat 2nd Jan 2021
Last Modified: N/A
QID#: 25,693,516

[Answers](#) |
 [Edit](#) |
 [Duplicate](#) |
 [Used In](#) |
 [Reorder](#)

[Remove From Test](#)

Question 17

Primary 4 Maths » Primary 4 Math (Term 4)

2 pts

Match the options below from the smallest to greatest:

Clue	Match
9057	smallest
9570	small
9705	greatest

Question Type: Matching
Grade style: Full points if all answers are correct
Shuffle Mode: Shuffle Matches Only
Date Added: Sat 2nd Jan 2021
Last Modified: N/A
QID#: 25,693,522

[Answers](#) |
 [Edit](#) |
 [Duplicate](#) |
 [Used In](#) |
 [Reorder](#)

[Remove From Test](#)

Question 18

Primary 4 Maths » Primary 4 Math (Term 4)

2 pts

Which two of the fractions below are smaller than $\frac{1}{2}$?

- A) $\frac{2}{4}$
- B) $\frac{3}{5}$
- ✓ C) $\frac{4}{9}$
- ✓ D) $\frac{5}{12}$

Question Type: Multiple Response
Randomize Answers: No
Grade style: Full points if all answers are correct
Date Added: Sat 2nd Jan 2021

Last Modified: N/A
QID#: 25,693,526

[Answers](#) | [Edit](#) | [Duplicate](#) | [Used In](#) | [Reorder](#)

[Remove From Test](#)

Question 19

Primary 4 Maths » Primary 4 Math (Term 4)

2 pts

What is the value of $\frac{5}{9} + \frac{2}{3}$?

Express your answer as a mixed number.

Accepted answers:

- ✓ 1 2/9
- ✓ 1 6/27
- ✓ 1 4/18
- ✓ 1 2 / 9
- ✓ 1 2 /9
- ✓ 1 2/ 9
- ✓ 1 6 / 27
- ✓ 1 6 /27
- ✓ 1 6/ 27
- ✓ 1 4 / 18
- ✓ 1 4/ 18

Question Type: Free Text
Date Added: Sat 2nd Jan 2021
Last Modified: N/A
QID#: 25,693,533

[Answers](#) | [Edit](#) | [Duplicate](#) | [Used In](#) | [Reorder](#)

[Remove From Test](#)

Question 20

Primary 4 Maths » Primary 4 Math (Term 4)

2 pts

Round 12.65 to the nearest whole number.

Accepted answers:

- ✓ 13

Question Type: Free Text
Date Added: Sat 2nd Jan 2021
Last Modified: N/A
QID#: 25,693,536

[Answers](#) | [Edit](#) | [Duplicate](#) | [Used In](#) | [Reorder](#)

[Remove From Test](#)

Question 21

Primary 4 Maths » Primary 4 Math (Term 4)

2 pts

$$5.3 - 0.89 = \underline{\hspace{2cm}}$$

Accepted answers:

✓ 4.41

Question Type: Free Text

Date Added: Sat 2nd Jan 2021

Last Modified: N/A

QID#: 25,693,538

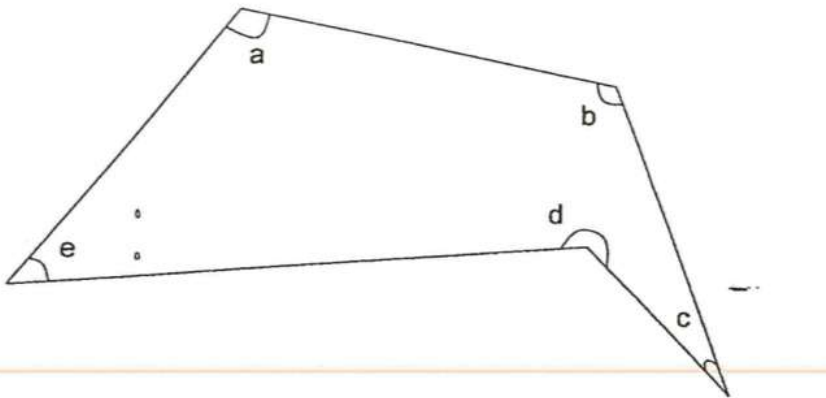
[Answers](#) | [Edit](#) | [Duplicate](#) | [Used In](#) | [Reorder](#)
[Remove From Test](#)

Question 22

Primary 4 Maths » Primary 4 Math (Term 4)

2 pts

In the figure below, name the two angles that are smaller than 90° .



- ✓ A) Angle e
- ✓ B) Angle c
- C) Angle d
- D) Angle a
- E) Angle b

Question Type: Multiple Response

Randomize Answers: No

Grade style: Full points if all answers are correct

Date Added: Sat 2nd Jan 2021

Last Modified: N/A

QID#: 25,693,545

[Answers](#) | [Edit](#) | [Duplicate](#) | [Used In](#) | [Reorder](#)
[Remove From Test](#)

Question 23

Primary 4 Maths » Primary 4 Math (Term 4)

2 pts

The price of 3 egg tarts is \$2.10. What is the cost of 8 such egg tarts?

Accepted answers:

- ✓ \$5.60
- ✓ \$ 5.60
- ✓ 5.60

Question Type: Free Text
Date Added: Sat 2nd Jan 2021
Last Modified: N/A
QID#: 25,693,555

Correctly answered feedback

$2.10/3 = \$0.70$
 $\$0.70 \times 8 = \5.60

Incorrectly answered feedback

$2.10/3 = \$0.70$
 $\$0.70 \times 8 = \5.60

[Answers](#) | [Edit](#) | [Duplicate](#) | [Used In](#) | [Reorder](#)

[Remove From Test](#)

Question 24

Primary 4 Maths » Primary 4 Math (Term 4)

2 pts

Uncle Jack bought 63 boxes of pens. There were 9 pens in each box. He repacked the pens into smaller packets of 5 each. How many pens were left unpacked?

Accepted answers:

- ✓ 2
- ✓ 2 pens
- ✓ 2 Pens left

Question Type: Free Text
Date Added: Sat 2nd Jan 2021
Last Modified: N/A
QID#: 25,693,560

Correctly answered feedback

$63 \times 9 = 567$
 $567/5 = 113 \text{ R } 2$

[Answers](#) | [Edit](#) | [Duplicate](#) | [Used In](#) | [Reorder](#)

[Remove From Test](#)

Question 25

Primary 4 Maths » Primary 4 Math (Term 4)

2 pts

Jenna read $\frac{3}{8}$ of her book on Saturday. She had 105 pages left to read. How many pages are there in the book?

Accepted answers:

168



✓ 168 pages

Question Type: Free Text
Date Added: Sat 2nd Jan 2021
Last Modified: N/A
QID#: 25,693,571

Correctly answered feedback

5 units = 105
 1 unit = $105/5 = 21$
 8 units = $21 \times 8 = 168$

Incorrectly answered feedback

5 units = 105
 1 unit = $105/5 = 21$
 8 units = $21 \times 8 = 168$

[Answers](#) | [Edit](#) | [Duplicate](#) | [Used In](#) | [Reorder](#)

[Remove From Test](#)**Question 26**

Primary 4 Maths » Primary 4 Math (Term 4)

2 pts

Some water was poured from a tank into 7 bottles. Each bottle contained 0.5L of water. 2.4L of water was left in the tank. How much water was there in the tank at first?

Accepted answers:

- ✓ 5.9 l
- ✓ 5.9L
- ✓ 5.9 litres

Question Type: Free Text
Date Added: Sat 2nd Jan 2021
Last Modified: N/A
QID#: 25,693,582

Correctly answered feedback

$0.5 \times 7 = 3.5l$
 At first - $3.5+2.4 = 5.9L$

Incorrectly answered feedback

$0.5 \times 7 = 3.5l$
 At first - $3.5+2.4 = 5.9L$

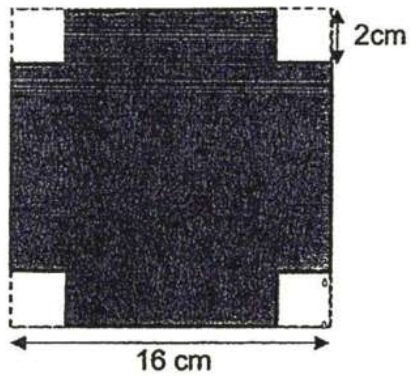
[Answers](#) | [Edit](#) | [Duplicate](#) | [Used In](#) | [Reorder](#)

[Remove From Test](#)**Question 27**

Primary 4 Maths » Primary 4 Math (Term 4)

2 pts

The figure below is a square of side 16 cm.
A small square of side 2 cm is cut out from each corner of the square.
What is the perimeter of the shaded figure?



Accepted answers:

- ✓ 64cm
- ✓ 64 cm
- ✓ 64

Question Type: Free Text
Date Added: Sat 2nd Jan 2021
Last Modified: N/A
QID#: 25,693,587

[Answers](#) | [Edit](#) | [Duplicate](#) | [Used In](#) | [Reorder](#)

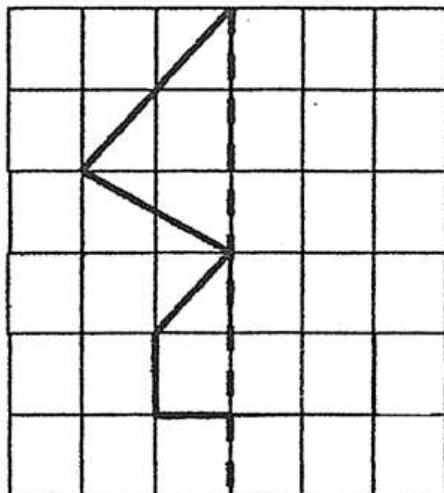
[Remove From Test](#)

Question 28

Primary 4 Maths » Primary 4 Math (Term 4)

0 pts

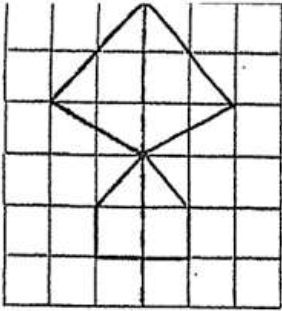
Complete the diagram below to form a symmetric figure.
The dotted line is the line of symmetry. Draw the other half.



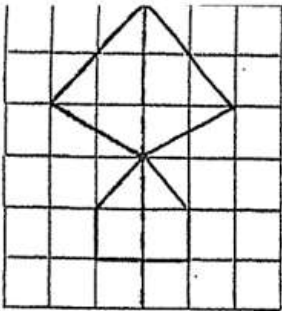
Please type "done" to proceed to the next question

Question Type: Essay
Date Added: Sat 2nd Jan 2021
Last Modified: N/A
QID#: 25,693,593

Correctly answered feedback



Incorrectly answered feedback



[Answers](#) | [Edit](#) | [Duplicate](#) | [Used In](#) | [Reorder](#)

[Remove From Test](#)

Question 29

Primary 4 Maths » Primary 4 Math (Term 4)

2 pts

Mr Li travelled by train from Singapore to Penang. He left at 22 40. The journey took 12h 55min. What time did Mr Li arrive in Penang?

Accepted answers:

- ✓ 11.35am
- ✓ 11.35 am
- ✓ 11.35
- ✓ 11.35 a.m.

Question Type: Free Text
Date Added: Sat 2nd Jan 2021
Last Modified: N/A
QID#: 25,693,604

Correctly answered feedback

QID#: 25,693,613

Correctly answered feedback

20 - 10 = 10

Incorrectly answered feedback

20 - 10 = 10

[Answers](#) | [Edit](#) | [Duplicate](#) | [Used In](#) | [Reorder](#)
[Remove From Test](#)**Question 31**

Primary 4 Maths » Primary 4 Math (Term 4)

2 pts

During which 2 hour-interval did the temperature increase by 5° C?

- A) 6am - 8am
 B) 8am - 10am
 ✓ C) 10am - noon
 D) noon- 2pm

Question Type: Multiple Choice
Randomize Answers: No
Date Added: Sat 2nd Jan 2021
Last Modified: N/A
QID#: 25,693,621

[Answers](#) | [Edit](#) | [Duplicate](#) | [Used In](#) | [Reorder](#)
[Remove From Test](#)**Question 32**

Primary 4 Maths » Primary 4 Math (Term 4)

2 pts

**The table shows the amount of money spent by 4 children.
 Answer questions 34 and 35.**

Name	Amount spent (\$)
Alice	350
Betty	300
Candy	890
Diane	710

The four children spent more than \$200 altogether

- ✓ A) True
 B) False
 C) Not possible to tell

Question Type: Multiple Choice
Randomize Answers: No
Date Added: Sat 2nd Jan 2021

Last Modified: N/A
 QID#: 25,693,631

Correctly answered feedback

$$\$710 + \$300 + \$890 + \$350 = \$2250$$
Incorrectly answered feedback

$$\$710 + \$300 + \$890 + \$350 = \$2250$$

[Answers](#) | [Edit](#) | [Duplicate](#) | [Used In](#) | [Reorder](#)

[Remove From Test](#)

Question 33

Primary 4 Maths » Primary 4 Math (Term 4)

2 pts

What is the difference between the greatest amount and the smallest amount spent?

Accepted answers:

- ✓ \$590
- ✓ \$ 590
- ✓ 590

Question Type: Free Text
Date Added: Sat 2nd Jan 2021
Last Modified: N/A
QID#: 25,693,634

Correctly answered feedback

$$\$890 - \$300 = \$590$$
Incorrectly answered feedback

$$\$890 - \$300 = \$590$$

[Answers](#) | [Edit](#) | [Duplicate](#) | [Used In](#) | [Reorder](#)

[Remove From Test](#)

Question 34

Primary 4 Maths » Primary 4 Math (Term 4)

3 pts

Section C (30 marks)

Danielle had 510 marbles. She had thrice as many marbles as Hannah. Danielle then gave Hannah some marbles so that both of them will have the same number of marbles. How many marbles will each of them have in the end?

Accepted answers:

- ✓ 340
- ✓ 340 marbles

Question Type: Free Text
Date Added: Sat 2nd Jan 2021
Last Modified: N/A
QID#: 25,693,643

Correctly answered feedback

$$510/6=85$$

$$85 \times 4 = 340$$

[Answers](#) |
 [Edit](#) |
 [Duplicate](#) |
 [Used In](#) |
 [Reorder](#)

[Remove From Test](#)

Question 35

Primary 4 Maths » Primary 4 Math (Term 4)

3 pts

Tom is 7 years old now. Jack is 4 years older than him. How old will Tom be when he is $\frac{5}{7}$ of Jack's age?

Accepted answers:

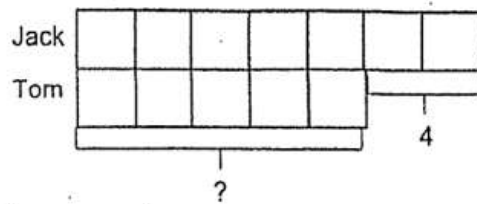
- ✓ 10
- ✓ 10 Years old

Question Type: Free Text

Date Added: Sat 2nd Jan 2021

Last Modified: N/A

QID#: 25,693,671

Correctly answered feedback

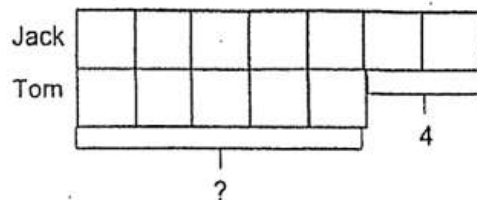
$$2u = 4$$

$$1u = 4 \div 2$$

$$= 2$$

$$5u = 2 \times 5$$

$$= \underline{10}$$

Incorrectly answered feedback

$$2u = 4$$

$$1u = 4 \div 2$$

$$= 2$$

$$5u = 2 \times 5$$

$$= \underline{10}$$

[Answers](#) |
 [Edit](#) |
 [Duplicate](#) |
 [Used In](#) |
 [Reorder](#)

[Remove From Test](#)

Question 36

In a box there are 20¢ and 50¢ coins. There are 20 coins with a total value of \$6.40. Find the number of 20¢ coins.

Accepted answers:

✓ 12

Question Type: Free Text

Date Added: Sat 2nd Jan 2021

Last Modified: N/A

QID#: 25,693,685

Correctly answered feedback

Method 1

$1 \times 20¢ = 20¢$	$1 \times 50¢ = 50¢$	Total	Check
$10 \times 20¢ = 200¢$ = \$2.00	$10 \times 50¢ = 500¢$ = \$5.00	\$7.00	X
$11 \times 20¢ = 220¢$ = \$2.20	$9 \times 50¢ = 450¢$ = \$4.50	\$6.70	X
$12 \times 20¢ = 240¢ =$ \$2.40	$8 \times 50¢ = 400¢$ = \$4.00	\$6.40	✓

38)

Method 2

Assumption method

Assume all coins are 50¢ coins.

Total value --- $50¢ \times 20 = \$10$

Difference --- $\$10 - \$6.40 = \$3.60$

Difference between one 50¢ and one 20¢ is 30¢

No. of 20¢ coins --- $360 \div 30 = \underline{12}$

Or

Assumption method

Assume all coins are 20¢ coins.

Total value --- $20¢ \times 20 = \$4$

Difference --- $\$6.40 - \$4 = \$2.40$

Difference between one 50¢ and one 20¢ is 30¢

No. of 50¢ coins --- $240 \div 30 = 8$

No. of 20¢ coins --- $20 - 8 = \underline{12}$

Incorrectly answered feedback

Method 1

$1 \times 20\text{¢} = 20\text{¢}$	$1 \times 50\text{¢} = 50\text{¢}$	Total	Check
$10 \times 20\text{¢} = 200\text{¢}$ $= \$2.00$	$10 \times 50\text{¢} = 500\text{¢}$ $= \$5.00$	\$7.00	X
$11 \times 20\text{¢} = 220\text{¢}$ $= \$2.20$	$9 \times 50\text{¢} = 450\text{¢}$ $= \$4.50$	\$6.70	X
$12 \times 20\text{¢} = 240\text{¢} =$ $\$2.40$	$8 \times 50\text{¢} = 400\text{¢}$ $= \$4.00$	\$6.40	✓

38)

Method 2

Assumption method

Assume all coins are 50¢ coins.

Total value --- $50\text{¢} \times 20 = \$10$ Difference --- $\$10 - \$6.40 = \$3.60$

Difference between one 50¢ and one 20¢ is 30¢

No. of 20¢ coins --- $360 \div 30 = \underline{12}$

Or

Assumption method

Assume all coins are 20¢ coins.

Total value --- $20\text{¢} \times 20 = \$4$ Difference --- $\$6.40 - \$4 = \$2.40$

Difference between one 50¢ and one 20¢ is 30¢

No. of 50¢ coins --- $240 \div 30 = 8$ No. of 20¢ coins --- $20 - 8 = \underline{12}$

[Answers](#) |
 [Edit](#) |
 [Duplicate](#) |
 [Used In](#) |
 [Reorder](#)

[Remove From Test](#)

Question 37

Primary 4 Maths » Primary 4 Math (Term 4)

4 pts

Tank A has four times as much water as Tank B. When Jenny adds 1.9 L of water to Tank A and 3.4 L of water to Tank B, both tank will have the same volume of water. Find the. total volume of water in both tanks in the end.

Accepted answers:

- ✓ 7.8l
- ✓ 7.8 l
- ✓ 7.8
- ✓ 7.8Litres
- ✓ 7.8 Litres

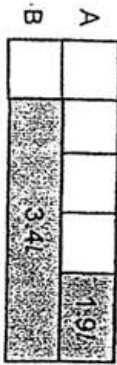
Question Type: Free Text

Date Added: Sat 2nd Jan 2021

Last Modified: N/A

QID#: 25,693,697

Correctly answered feedback



3 units $\rightarrow 3.4 l - 1.9 l = 1.5 l$
 1 unit $\rightarrow 1.5 l + 3 = 0.5 l$
 5 units $\rightarrow 0.5 l \times 5 = 2.5 l$
 Volume of water in each tank $\rightarrow 2.5 l + 3.4 l + 1.9 l = \underline{7.8 l}$

Incorrectly answered feedback

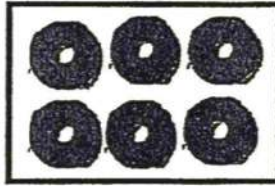


3 units $\rightarrow 3.4 l - 1.9 l = 1.5 l$
 1 unit $\rightarrow 1.5 l + 3 = 0.5 l$
 5 units $\rightarrow 0.5 l \times 5 = 2.5 l$
 Volume of water in each tank $\rightarrow 2.5 l + 3.4 l + 1.9 l = \underline{7.8 l}$

Natalie wanted to buy 20 doughnuts. If she buys 1 doughnut, it will cost \$2 and if she buys a box of 6 doughnuts, it will cost \$9. What is the least amount of money Natalie has to spend to buy 20 doughnuts?



\$2



\$9

Accepted answers:

- ✓ \$31
- ✓ \$ 31
- ✓ 31

Question Type: Free Text
 Date Added: Sat 2nd Jan 2021
 Last Modified: N/A
 QID#: 25,693,702

Correctly answered feedback

20 = 18 + 2
 18 doughnuts --- \$9 x 3 = \$27
 Total amt --- \$27 + \$4 = \$31

Incorrectly answered feedback

20 = 18 + 2
 18 doughnuts --- \$9 x 3 = \$27
 Total amt --- \$27 + \$4 = \$31

Question 39

Primary 4 Maths » Primary 4 Math (Term 4)

4 pts

Mr Tan's car was left with $\frac{1}{4}$ fuel. He added 28 l of fuel to his car, it became $\frac{5}{12}$ full. How much more fuel was needed to fill up Mr Tan's car?

Accepted answers:

- ✓ 98l
- ✓ 98 l
- ✓ 98Litres
- ✓ 98 Litres
- ✓ 98

Question Type: Free Text
Date Added: Sat 2nd Jan 2021
Last Modified: N/A
QID#: 25,693,706

Correctly answered feedback

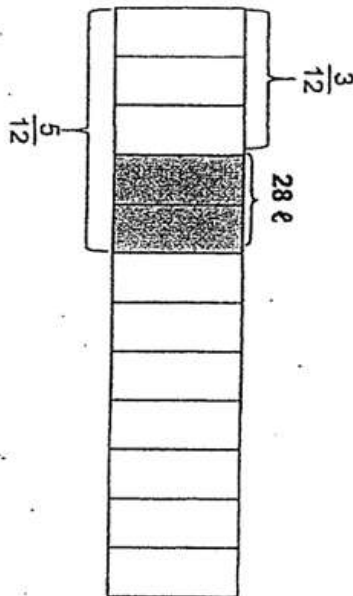
$$\frac{1}{4} = \frac{3}{12}$$

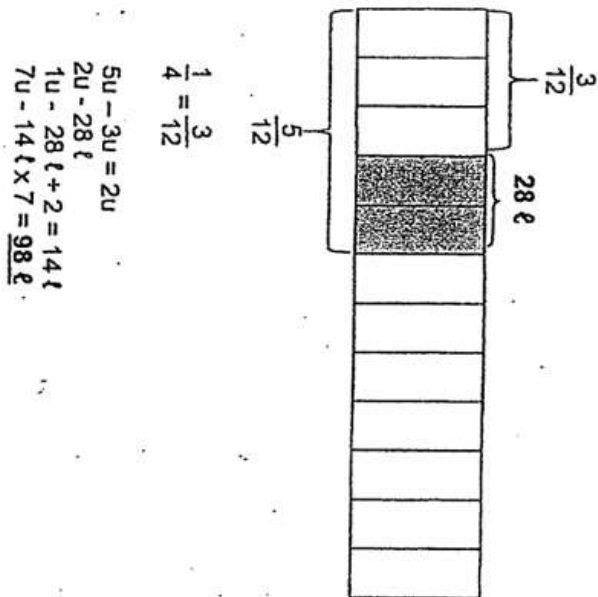
$$5u - 3u = 2u$$

$$2u - 28 \text{ l}$$

$$1u - 28 \text{ l} + 2 = 14 \text{ l}$$

$$7u - 14 \text{ l} \times 7 = \underline{98 \text{ l}}$$

**Incorrectly answered feedback**



[Answers](#) | [Edit](#) | [Duplicate](#) | [Used In](#) | [Reorder](#)

[Remove From Test](#)

Question 40

Primary 4 Maths » Primary 4 Math (Term 4)

4 pts

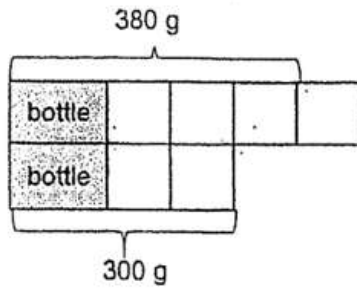
When $\frac{3}{4}$ of a bottle is filled with lemonade, it weighs 380g. When the bottle is half-filled with lemonade, it weighs 300g. Find the mass of the empty bottle.

Accepted answers:

- ✓ 140g
- ✓ 140 g
- ✓ 140

Question Type: Free Text
 Date Added: Sat 2nd Jan 2021
 Last Modified: N/A
 QID#: 25,693,710

Correctly answered feedback



$$1u \text{ --- } 80 \text{ g}$$

$$2u \text{ --- } 80 \times 2 = 160 \text{ g}$$

$$\text{Mass of bottle --- } 300 - 160 = \underline{140 \text{ g}}$$

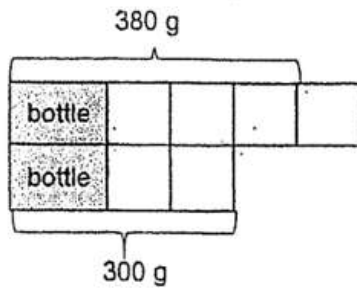
Or

$$1u \text{ --- } 80 \text{ g}$$

$$3u \text{ --- } 80 \times 3 = 240 \text{ g}$$

$$\text{Mass of bottle --- } 380 - 240$$

$$= \underline{140 \text{ g}}$$

Incorrectly answered feedback

$$1u \text{ --- } 80 \text{ g}$$

$$2u \text{ --- } 80 \times 2 = 160 \text{ g}$$

$$\text{Mass of bottle --- } 300 - 160 = \underline{140 \text{ g}}$$

Or

$$1u \text{ --- } 80 \text{ g}$$

$$3u \text{ --- } 80 \times 3 = 240 \text{ g}$$

$$\text{Mass of bottle --- } 380 - 240$$

$$= \underline{140 \text{ g}}$$

[Answers](#) |
 [Edit](#) |
 [Duplicate](#) |
 [Used In](#) |
 [Reorder](#)

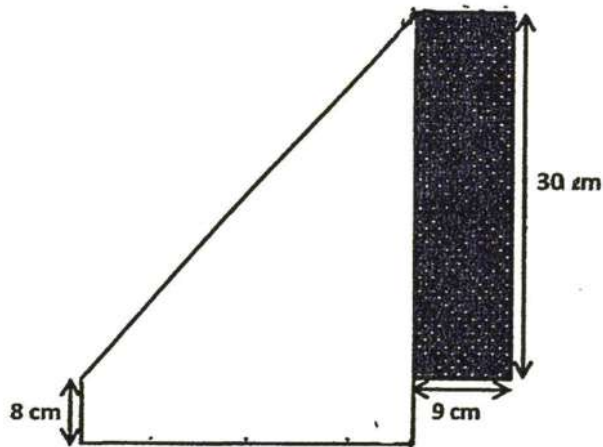
[Remove From Test](#)

Question 41

Primary 4 Maths » Primary 4 Math (Term 4)

4 pts

The figure below is not drawn to scale. A rectangular piece of paper is folded as shown below. Find
a) length of the paper



Accepted answers:

- ✓ 47cm
- ✓ 47 cm
- ✓ 47

Question Type: Free Text
Date Added: Sat 2nd Jan 2021
Last Modified: N/A
QID#: 25,693,716

Correctly answered feedback

length of paper = $9 + 8 + 30 = 47$ cm

Incorrectly answered feedback

length of paper = $9 + 8 + 30 = 47$ cm

[Answers](#) | [Edit](#) | [Duplicate](#) | [Used In](#) | [Reorder](#)

[Remove From Test](#)

Question 42

Primary 4 Maths » Primary 4 Math (Term 4)

4 pts

b) area of the rectangular piece of paper

Accepted answers:

- ✓ 1410cm²
- ✓ 1410 cm²
- 1410



Question Type: Free Text
Date Added: Sat 2nd Jan 2021
Last Modified: N/A
QID#: 25,693,720

Correctly answered feedback

area of paper $47 \times 30 = 1410\text{cm}^2$

Incorrectly answered feedback

area of paper $47 \times 30 = 1410\text{cm}^2$

[Answers](#) | [Edit](#) | [Duplicate](#) | [Used In](#) | [Reorder](#)

[Remove From Test](#)